

Identification Data

February 13, 2009

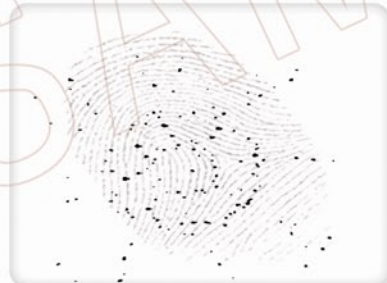
Natural Diamond
Certificate Number:



18122000

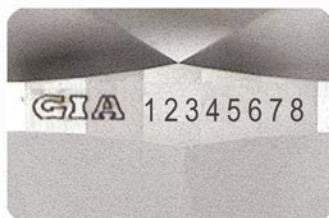
Gemprint®:

This unique optical fingerprint is positive identification of your diamond. All Gemprinted diamonds are registered at www.DiamondID.com.



Laser Inscription:

Actual image of the inscription photographed at high magnification.



GCAL DiamondAudit™:

Gem Certification and Assurance Lab has examined this diamond and the accompanying Diamond Grading Report (GIA 12345678) and verifies that physical specifications noted in the document are accurate. This diamond qualifies for the exclusive GCAL "Zero Tolerance" 4Cs Consumer Guarantee.



580 Fifth Avenue, Lower Lobby, New York, NY 10036
T 212.869.8985 F 212.869.2315, www.gemfacts.com

The 4Cs Grading Analysis

Carat Weight:

1.01

Measurements:
Shape and Cutting Style:

6.50 - 6.52 x 3.99mm
Round Brilliant Cut

Cut Grade:

Excellent (95)

Excellent 95	Very Good 90-80	Good 75-65	Fair 60-50	Poor 45-40
--------------	-----------------	------------	------------	------------

Light Performance:

(40)

Optical Brilliance:

Excellent

Optical Symmetry:

Excellent

Excellent 40	Very Good 35	Good 30	Fair 25	Poor 20
--------------	--------------	---------	---------	---------

Finish:

(25)

Polish:

Very Good

External Symmetry:

Excellent

Excellent 30	Very Good 25	Good 20	Fair 15	Poor 10
--------------	--------------	---------	---------	---------

Proportions:

(30)

Girdle Thickness:

Medium

Culet Size:

None

Excellent 30	Very Good 25	Good 20	Fair 15	Poor 10
--------------	--------------	---------	---------	---------

Color:

F

Fluorescence:

None

Treatments:

None

Clarity:

VS2

Grade Setting Inclusion:

Crystal

Grade Setting Location:

Bezel

Treatments:

None

Comments: Previous inscription "GIA 12345678" is present on the girdle

Photomicrographs:

Actual images of the crown (top) and pavilion (bottom) of this diamond photographed at magnifications up to 10x.

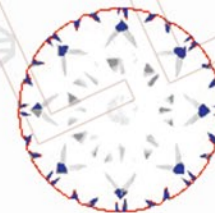


Light Performance Profile

Optical Brilliance Analysis:

Brilliance is the overall return of light to the viewer. The brilliance image is a representation of (a) white areas of light return, or brilliance, and (b) dark-blue areas of light loss.

Excellent



Optical Symmetry Analysis:

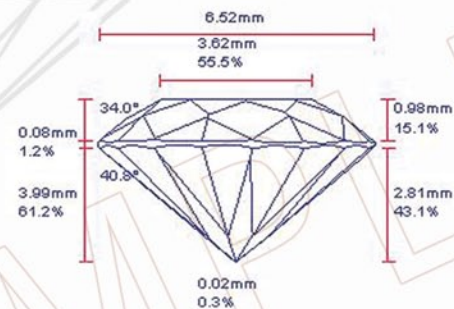
The colored areas of the symmetry image are indications of light handling ability, giving a visual representation of proportions and facet alignment.

Excellent



Proportion Diagram:

The proportion diagram illustrates the actual dimensions as recorded by laser scanning technology.



The grading of diamonds is a subjective scientific procedure. Diamond grading reports are expressions and opinions that have been shown to have reasonable variances and tolerances even when performed by well-trained and unbiased professionals. The carat weight is measured electronically; the cutting proportions are analyzed electronically with laser scanning technology; the color is graded by use of master comparison diamonds in a controlled lighting environment; the clarity is determined by examination under dark field binocular magnification.