

Identification Data

May 24, 2010

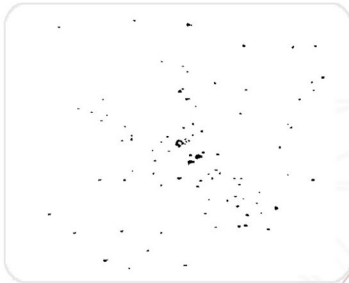
Natural Diamond
Certificate Number:



19148000

Gemprint®:

Every diamond has a unique reflection pattern. Just like a fingerprint, this is the positive identification pattern for your diamond.



Laser Inscription:

Photomicrograph greater than 40x.



The 4Cs Grading Analysis

Certificate Number: 19148000

Carat Weight: 1.39

Cut: Radiant Brilliant

Measurements: 6.93x4.91x4.12mm
Polish: Very Good
External Symmetry: Excellent
Optical Brilliance: N/A
Optical Symmetry: N/A

Color: Fancy Intense Yellow

Origin: Natural
Fluorescence: None
Treatments: None

Clarity: VS1

Grade Setting Inclusion: Feathers
Grade Setting Location: Lower Girdles
Treatments: None

Comments: Girdle laser inscribed "19148000" and GCAL logo

The grading of diamonds is a subjective scientific procedure. Diamond grading reports are expressions and opinions that have been shown to have reasonable variances and tolerances even when performed by well-trained and unbiased professionals. The carat weight is measured electronically; the cutting proportions are analyzed electronically with laser scanning technology; the color is graded by use of master comparison diamonds in a controlled lighting environment; the clarity is determined by examination under dark field binocular magnification.

Diamond Images

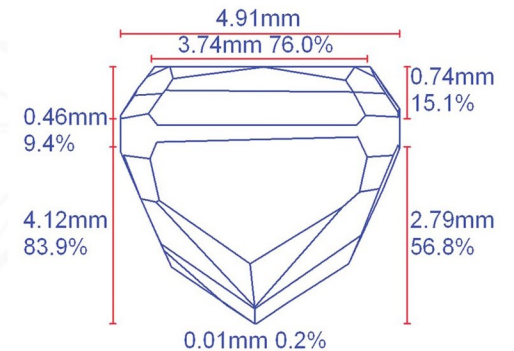
Photomicrographs:

The photomicrographs, taken at approximately 10x magnification, depict the internal characteristics of the diamond.



Proportion Diagram:

The proportion diagram illustrates the actual dimensions as recorded by laser scanning technology.



GCAL
GEM CERTIFICATION & ASSURANCE LAB
INTEGRITY GUARANTEED™



580 Fifth Avenue, LL-05, New York, NY 10036
T 212.869.8985, F 212.869.2315, www.DiamondID.com